

DATASHEET

EDC-SM101

Inductive Proximity Sensor IC

1. Functional Description of the EDC-SM101

The EDC-SM101 is a sensor IC for inductive proximity applications and can be used with a range of inductive transducers. It does have the analog front end, the detection logic, output stage and the status LED drivers (Detection and Power) integrated.

2. Features

- Supply voltage 5.5VDC ... 38VDC
- Fully integrated low cost proximity sensor IC
- User-adjustable sensing range
- User-adjustable hysteresis (0...15%)
- Can work with a broad selection of inductive transducers
- Voltage regulator to improve immunity against fluctuations of supply voltage
- Inactive output during start-up
- NPN open collector output with guaranteed sink current of 150mA
- Output overload/overcurrent protection
- Broad range of operating frequency: 100kHz...1MHz
- Broad operating temperature range: -25°C...90°C
- Package QFN24

3. Application

The EDC-SM101 is suitable for many inductive proximity detection applications.

3.1. Simple Application Circuit

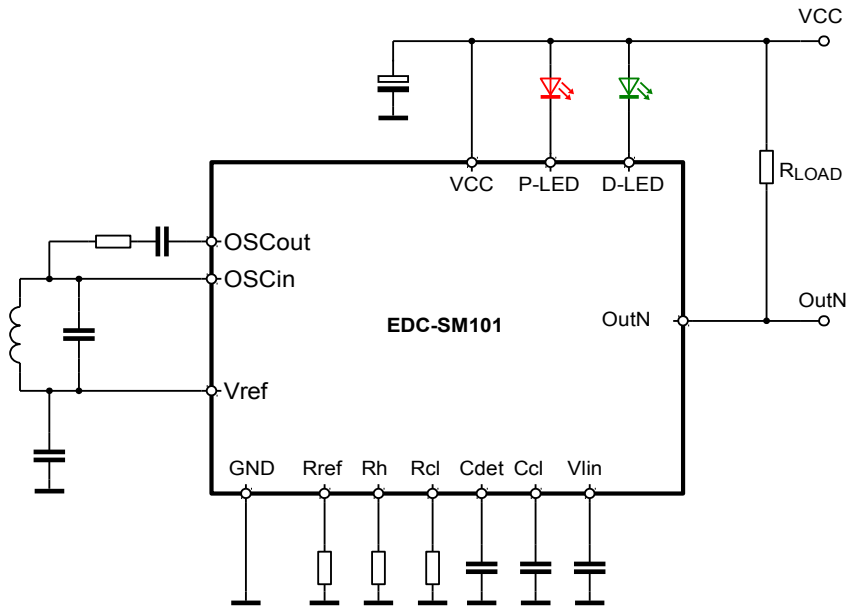


Figure 1: Simple application circuit

3.2. Application Notes

Please see EDC-AN-SM101

Table of Contents

1. Functional Description of the EDC-SM101	2
2. Features	2
3. Application	2
3.1. Simple Application Circuit.....	3
3.2. Application Notes.....	3
4. Block Diagram	5
5. Block Descriptions	5
5.1. LC Oscillator.....	5
5.2. Oscillation Detector.....	5
5.3. Normally Open/Normally Closed (NO/NC) Block.....	6
5.4. Reference Voltage and Current Generator.....	6
5.5. Linear Voltage Regulator.....	7
5.6. Output and LED Drivers.....	7
5.7. Overload Protection Circuits.....	7
5.8. Output NPN Transistor.....	7
6. Pinning	8
7. Absolute Maximum Ratings	10
8. Electrical Characteristics	10
8.1. Operational Range.....	10
8.2. DC Characteristics.....	11
8.3. AC Characteristics.....	11
9. Application	12
9.1. Example Application Circuit.....	12
9.2. Thermal Considerations.....	12
9.3. Surge Protection.....	12
10. IC-Package	13
11. Ordering Information	14
12. IC-Marking	14
13. Notes and Cautions	14
13.1. ESD Protection.....	14
13.2. Storage conditions.....	14
14. Disclaimer	15
15. Contact Information	15

4. Block Diagram

Figure 2: Block diagram

5. Block Descriptions

5.1. LC Oscillator

The LC oscillator utilises the operational amplifier OA featuring a high gain-bandwidth product. The positive feedback of this operational amplifier produces negative resistance at Pin OSCin in order to compensate for energy losses in the external LC tank.

Depending on the external circuitry the LC oscillator is able to oscillate in a range of about 100kHz...1MHz as long as no metallic object is present within the sensing range of the sensor. As soon as a metallic object is placed in close proximity of the external inductor (called proximity transducer in proximity detection applications) its Q factor drops due to eddy currents induced in the object. This leads to higher energy losses in the LC tank, and if the distance between the transducer and the object is small enough, the oscillations are broken.

5.2. Oscillation Detector

This block, consisted of a peak detector, low-pass filter and comparator with hysteresis, determines whether the oscillator oscillates or not. It also implements a hysteresis function. The output of the detector is used to drive, through the NO/NC multiplexer, the output drivers of the chip. The detector features a dedicated pin Cdet to connect an external capacitor controlling the cut-off frequency of the low-pass filter. This low pass filter eliminates malfunction of the sensor in the presence of short interfering signals which might be received by the magnetic field-sensitive inductive transducer. Therefore, if the IC is expected to work in a 'harsh' environment it is advised that the value of C_F be increased at the expense of reaction time of the IC. Please refer the document EDC-AN-SM101 for a more detailed description and how to dimension the cut off frequency and the related filter capacitor C_F , as well as the hysteresis and the related resistor R_{HYST} .

5.3. Normally Open/Normally Closed (NO/NC) Block

The NO/NC block and its NO/NC pin are responsible for the output logic of the IC: the output logic can either be normally open (the output is off if no object is detected) or normally closed (the output is on if no object is detected).

Object detected	NO/NC	Status of OUTN and D-LED
NO	Not connected	OFF
NO	GND	ON
YES	Not connected	ON
YES	GND	OFF

The output logic setup will influence even the start up behaviour of the output as shown in the following sketch:

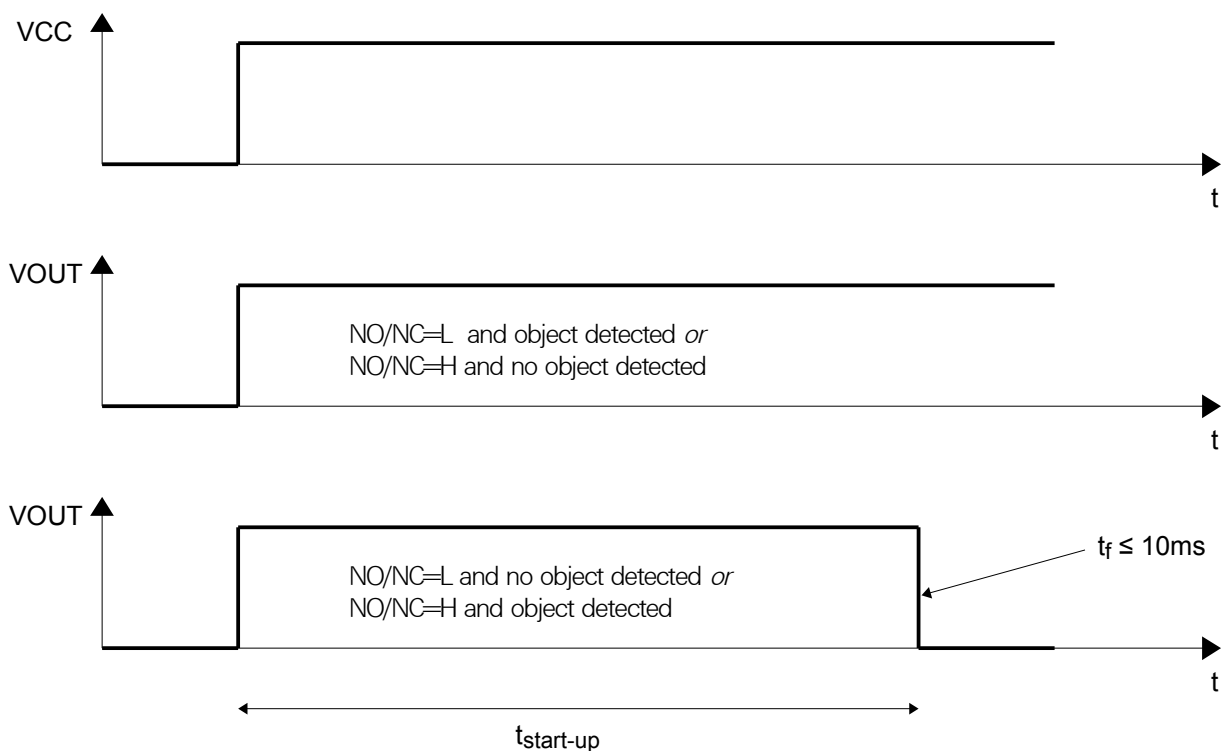


Figure 3: Start-up behaviour

5.4. Reference Voltage and Current Generator

This block provides the IC with a single reference voltage of about 1.2V and a set of reference currents, which are used to bias all building blocks of the IC.

5.5. Linear Voltage Regulator

Since the level of external supply voltage of the IC is expected to vary considerably, an internal voltage regulator has been used to improve the immunity of the LC Oscillator and Oscillation Detector against variations thereof. In this way the influence of supply voltage on the sensing distance of the sensor has been minimised. This voltage regulator can supply an external circuitry with up to 5mA.

5.6. Output and LED Drivers

This block senses the output of the NO/NC Block and uses this information to control the NPN output transistor depending on the detection status. Additionally, it provides a bias current for two external LEDs: the Power LED and the Detect LED.

5.7. Overload Protection Circuits

The function of this block is to protect the output transistor against destruction resulting from attempting to sink excessive current into the IC or shorting the output of the IC directly to the supply rail. The overload/overcurrent state of the IC is detected by comparing an internal reference voltage with the voltage drop over an external current limiting resistor connected in series with the emitter of the output transistor. The voltage threshold over the shunt resistor necessary to switch the protection circuit is given in section 8.2. If the overload/overcurrent state is detected (threshold exceeded), the state of the output is periodically sampled as long as the overload/overcurrent condition persists. In this state the average overload current flowing through the load is much lower than its guaranteed value in the normal operation mode, and the value of this overload current is given in Section 8.2.

Apart from protecting the output transistor the Overload Protection block is also responsible for deactivating the output transistor shortly after the supply voltage was applied to the sensor. In this way undesired transient behaviour of the IC output is suppressed.

5.8. Output NPN Transistor

The output NPN transistor is capable of sinking at least 150mA of constant output current. In the overload mode the transistor delivers short current pulses used to test the state of the output and to provide a small charge (or overload) current for capacitive loads.

6. Pinning

PIN#	Symbol	Description
1	D_LED	LED-driver output, LED signal detection of object , LED current is controlled by a source of typical 1.2mA
2,3	OutN	External load, for example switch-relay (Three Wire Technique), NPN transistor output configured as "open collector", switch is connected to VCC
4,5	Rcl	sense resistor to limit the current in OUTN (collector current)
6		n.c.
7	NO/NC	Selection switch Normally Open / Normally Closed (please see Section 5.3)
8		n.c.
9	Cdet	Filter capacitor (Cdet) to detect oscillation of Inductive Transducer (CDET to GND)
10	Rref	Resistor Rref sets the operating current for internal schematics (amplifier, voltage reference, ...), the voltage at this pin is about 1.2V
11	Ccl	Capacitor for current limiter, determines the sampling rate of current limiter
12		n.c.
13	GND	Supply Ground
14		n.c.
15	Vlin	Blocking capacitor for internal regulator
16	VCC	Supply voltage
17	OSCin	Oscillator input (LC tank)
18	OS Cout	Oscillator output
19		n.c.
20	Rh	Resistor R _{HYST} , Hysteresis adjustment
21	Vref	Reference voltage output (decoupling Capacitor to GND), Vref is about 1.2V
22	PGND	Power Ground (GND based on output stage OutN)
23	P_LED	LED-driver output, LED signal operation supply voltage VCC > 5.5V, LED current is controlled by a source of typical 1.2mA
24		n.c.

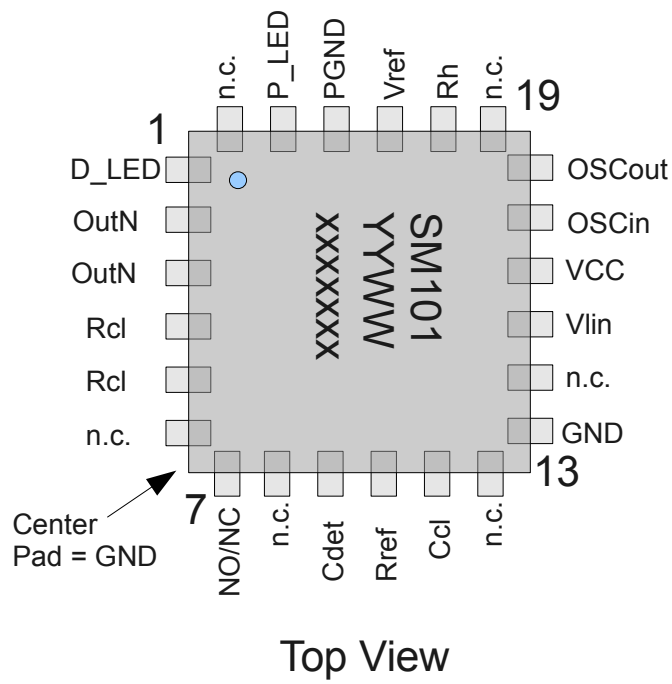


Figure 4: QFN24 Pinout

7. Absolute Maximum Ratings

The Absolute Maximum Ratings may not be exceeded under any circumstances.

#	Symbol	Parameter	Min	Max	Unit
1	V _{CC}	Supply voltage	-0.3	40	V
2	V _{MAX}	Voltages at pins OSC _{in} , Rh, OSC _{out} , Cdet, Rref, Vref, Vlin, Covl	-0.3	Vlin + 0.3	V
3	V _{NO/NC}	Voltage at pin NO/NC		V _{CC}	V
4	V _{ESD}	ESD test voltage* ¹⁾	-1	1	kV
5	T _{STG}	Storage temperature range	-55	150	°C
6	T _J	Junction temperature * ²⁾		150	°C

Note:

*¹⁾ Human Body Model

*²⁾ $T_J = T_A + P_{TOT} \cdot R_{THJ-A}$

(where T_A is ambient temperature, P_{TOT} is total power dissipation and R_{THJ-A} is thermal resistance junction to ambient)

8. Electrical Characteristics

8.1. Operational Range

#	Symbol	Parameter	Min	Max	Unit
1	V _{CC,DC}	DC supply voltage* ¹⁾ * ²⁾ * ³⁾	5.5	38	V
2	T _A	Ambient temperature range	-25	90	°C
3	T _J	Junction temperature	-25	120	°C
4	P _{TOT}	Total power dissipation		1	W
5	R _{THJ-A}	Thermal resistance junction-ambient		42	K/W

Note:

*¹⁾ amplitude of allowable low-frequency ripple (100-120Hz) is not higher than +/-10%,

V_{CC} operational limits may not be exceeded

*²⁾ for supply voltages below 6.5V, it is mandatory to use low ESR blocking caps

*³⁾ for supply voltages below 6.5V, it is mandatory that the supply is stable

8.2. DC Characteristics

The typical values are given for $V_{CC} = 38V$, $T_j = 25^\circ C$ unless otherwise specified.

#	Symbol	Parameter	Min	Typ	Max	Unit
1	$I_{VCC,OFF}$	Supply current of pin VCC (Output off)		3.8	4.8	mA
2	$I_{VCC,ON}$	Supply current of pin VCC (Output on)		8.5	12	mA
3	$V_{SAT,OUT}$	Output saturation voltage ($I_{out}=150mA$)		0.50	0.70	V
4	I_{LED}	LED current ($V_{CC}=38V$)	1.0	1.2	1.6	mA
5	I_{OVL}	Average overload current ($V_{CC}=38V$)	5	8	14	mA
6	I_{LKG}	Output leakage current ($V_{CC}=38V$)			5	μA
7	$V_{TH,OVL}$	Overload threshold voltage ^{*4)}	250	290	330	mV
8	V_{in}	Output of linear regulator ^{*5)}	4.1	4.45	4.8	V

Note:

^{*4)} overload threshold voltage is the level of the voltage across the current limiting resistor which triggers the overload protection circuit; for more information on this refer to Section 5.7.

^{*5)} for supply voltages below 6.5V, V_{in} will follow V_{CC} less the dropout voltage

8.3. AC Characteristics

The typical values are given for $V_{CC} = 38V$, $T_j = 25^\circ C$ unless otherwise specified.

#	Symbol	Parameter	Min	Typ	Max	Unit
1	f_{OSC}	Operating frequency ($L_R=630\mu H$, $C_R=230pF$)		420		kHz
2	t_R	Output rise time (@ 1k Ω load, 10% to 90%)			1.5	μs
3	t_F	Output fall time (@ 1k Ω load, 10% to 90%) ^{*2)}			1	μs
4	$T_{S,OVL}$	Sampling period in overload mode (set by C_{OVL})	50	120	250	ms
5	$T_{STARTUP}$	Startup time ^{*3)}	50	120	250	ms

Note:

^{*2)} fall time right after start-up depends on the load used and can be as long as 10ms

^{*3)} this is the maximum start-up time of the IC itself; this parameter does not reflect performance of a sensor; during start-up the output is inactive (off) regardless of the state of the NO/NC pin

^{*4)} for more information on capacitive loads refer to Overload Explanation in Section 5.7

9. Application

9.1. Example Application Circuit

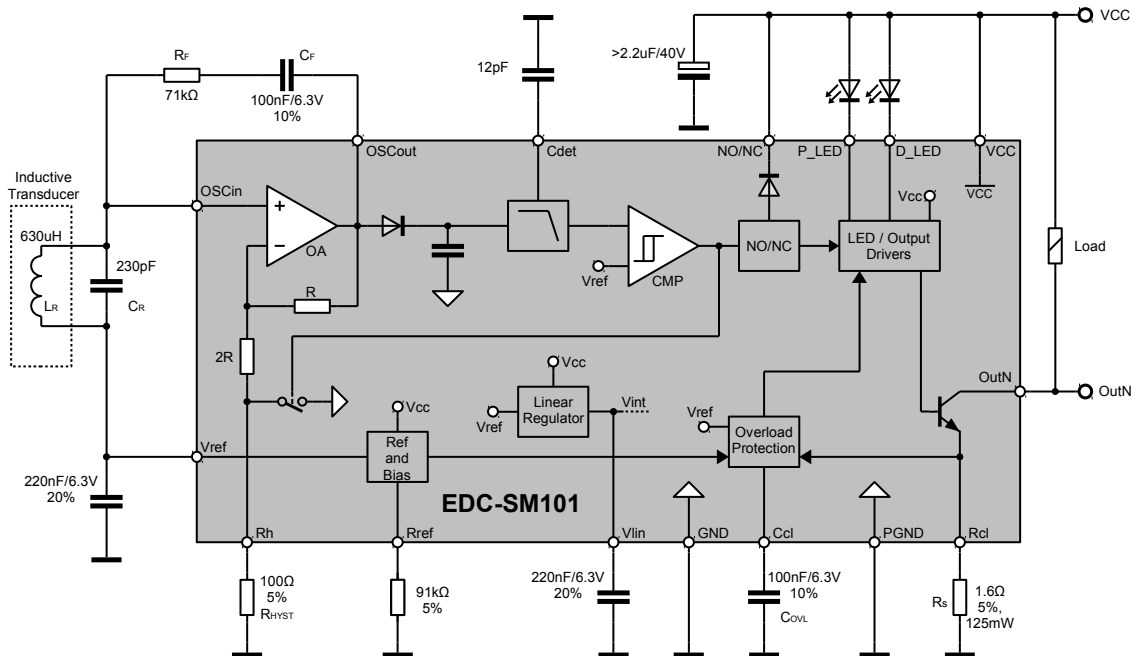


Figure 5: Example application circuit

9.2. Thermal Considerations

The SM101's QFN24 package has limited power dissipation capabilities. In case the ambient temperature is rising above 78°C, the package requires extra cooling to prevent the junction temperature to rise above specified limits.

Such cooling can be achieved by having a GND layer in the PCB and connecting that with vias to the center pad of the QFN24.

Such cooling can be calculated, but as a rule of thumb, a 150mm² GND area under the IC, connecting to the center pad with 16 vias will provide for sufficient cooling. If 150mm² cooling area cannot be achieved, one should try to create star type traces originating from the center pad location to the rim of the PCB. This will work as heat pipes.

9.3. Surge Protection

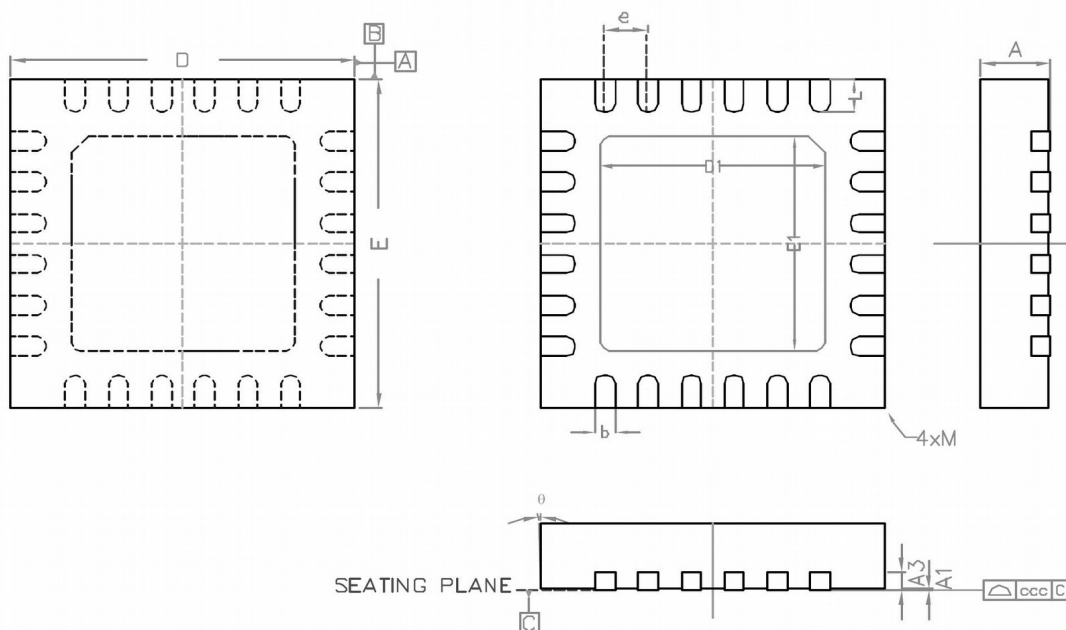
Depending on the necessary surge protection class, surge protection diodes and low pass filter schemes might be necessary to protect the Vcc and OutN pins.

For more information please refer to EDC-AN-SM101.

10. IC-Package

The 24 pin QFN Package is a surface mounted device. Package dimensions are: 4 mm x 4 mm x 0.85 mm (width x depth x height).

The IC is RoHS-compliant. The IC is labeled SM101.



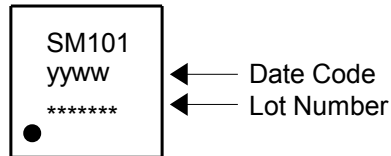
SYMBOL	Dimensions in mm, angles in deg		
	MIN	NOM	MAX
A	0.80	0.85	0.90
A1	0	0.010	0.030
A3	-	0.20	-
b	0.18	0.23	0.28
D	3.95	4.00	4.03
D1	-	2.60	-
E	3.95	4.00	4.03
E1	-	2.60	-
e	-	0.50	-
L	0.35	0.4	0.45
Θ	-12	-	0
ccc	-	0.08	-
M	-	-	0.05

11. Ordering Information

EDC-SM101-IQN24R (QFN24 shipment in tape & reel)

12. IC-Marking

Top Marking by Laser



13. Notes and Cautions

13.1. ESD Protection

The Requirements for Handling Electrostatic Discharge Sensitive Devices are described in the JEDEC standard JESD625-A. Please note the following recommendations:

When handling the device, operators must be grounded by wearing a for the purpose designed grounded wrist strap with at least 1M Ω resistance and direct skin contact.

Operators must at all times wear ESD protective shoes or the area should be surrounded by for ESD protection intended floor mats.

Opening of the protective ESD package that the device is delivered in must only occur at a properly equipped ESD workbench. The tape with which the package is held together must be cut with a sharp cutting tool, never pulled or ripped off.

Any unnecessary contact with the device or any unprotected conductive points should be avoided.

Work only with qualified and grounded tools, measuring equipment, casing and workbenches.

Outside properly protected ESD-areas the device or any electronic assembly that it may be part of should always be transported in EGB/ESD shielded packaging.

13.2. Storage conditions

The EDC-SM101 corresponds to moisture sensitivity classification MSL3, according to JEDEC standard J-STD-020, and should be handled and stored according to J-STD-033.

14. Disclaimer

Information given in this data sheet is believed to be accurate and reliable. However, no responsibility is assumed for the consequences of its use nor for any infringement of patents or other rights of third parties that may result from its use. Electronic Design Chemnitz GmbH does not authorize or warrant any of its products for use in life support system equipment.

The values stated in Absolute Maximum Ratings may under no circumstances be exceeded. No warranty is given for use in life support systems or medical equipment without the specific written consent of Electronic Design Chemnitz GmbH. For questions regarding the application please contact the publisher.

The declared data are only a description of the product. They are not guaranteed properties as defined by law. Examples are given without obligations and cannot give rise to any liability. Reprinting of this data sheet – or any part of it – is not allowed without the license of the publisher. Data sheets are subject to change without any notice.

15. Contact Information

This data sheet is published by Electronic Design Chemnitz GmbH. To order samples or inquire information please contact:

EDC Electronic Design Chemnitz GmbH
Technologie-Campus 4
D-09126 Chemnitz

Fon: +49 – 371 524 59 – 0
Fax: +49 – 371 524 59 – 10

info@ed-chemnitz.de
www.ed-chemnitz.de

© All rights reserved.

