

EDC-IC8008

8 Channel Parallel to Parallel HV Push-Pull Driver

The EDC-IC8008 is a general-purpose HV driver IC with 8 high voltage push-pull outputs. The outputs can drive capacitive and resistive loads such as piezoelectric devices, electroluminescent devices, micro mechanic actors and similar applications.

The EDC-IC8008 is a rigid low cost HV driver for harsh industrial applications and allow a wide application area. The maximum operating voltage is 300V. Every output is able to drive up to 40mA. Conditioned by the output resistors and with respect to the maximum power dissipation the outputs can be run in parallel.

The IC disposes protected direct transistor gate inputs. The IC allows to control the switching time low to high of the outputs with an external resistor.

The high voltage push-pull outputs are well protected against a possible latch-up by using the bulk – drain diodes of the output high voltage transistors and their full dielectric isolation.

APPLICATION CIRCUIT EXAMPLE

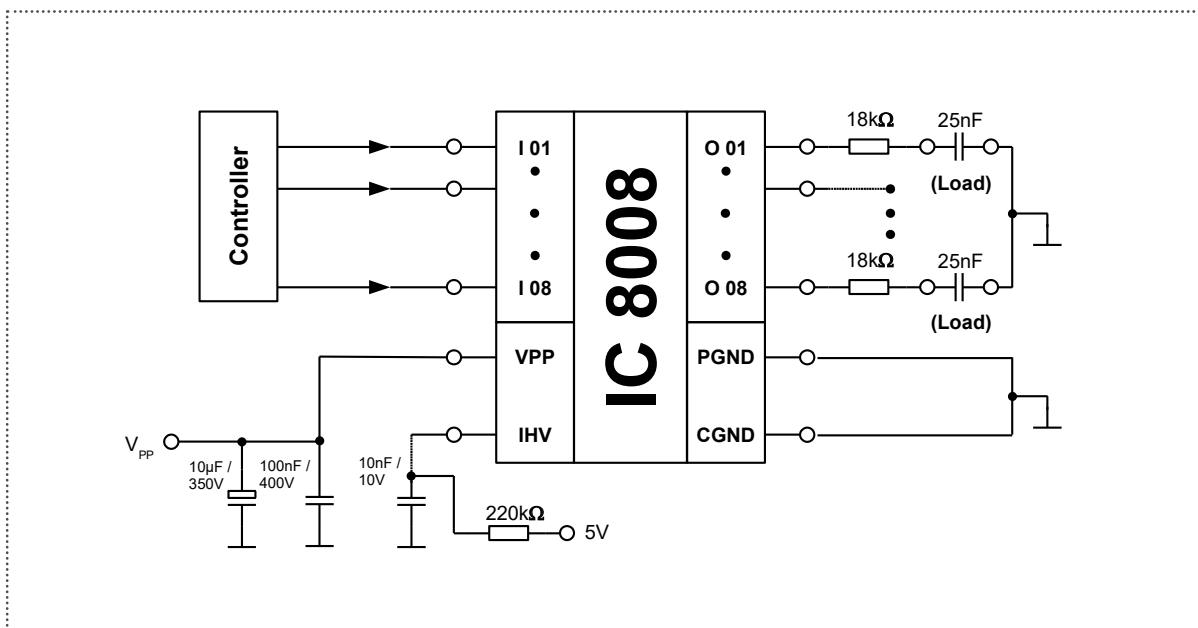


Figure: Common application circuit

APPLICATION

The EDC-IC8008 is suitable to drive capacitive and resistive loads.

For instance: displays (electroluminescent), piezoelectric or capacitive actuators and other devices (transducer), MEMs, ...

FEATURES

- High voltage driver with 8 parallel push pull outputs
- Supply voltage: 20VDC...300VDC (absolute maximum rating is 320V)
- Output current per channel is $\pm 40\text{mA}$ (sink/source)
- High slew rate of HV supply voltage
- HV outputs for wide load variations
- Switching time control for high speed applications by external resistance
- Direct transistor gate control input voltage range: 2.5V ... 11V
- N-channel MOSFET outputs for lower power consumption
- Ambient temperature range -40 °C ... +70 °C
- \emptyset Package: SOP20L – Body size: 12.8 mm x 7.5 mm x 2.45 mm (300 mil)
 SSOP20L – Body size: 7.2 mm x 5.3 mm x 1.80 mm (209 mil)
 VQFN24L – Body size: 4.0 mm x 4.0 mm x 0.90 mm (4 x 4 x 0.85)
- RoHS compliant

ORDERING INFORMATION

On Request.

EDC Electronic Design Chemnitz GmbH

Technologie-Campus 4
09126 Chemnitz/Germany
Phone: +49 371 524 59 - 0
Fax: +49 371 524 59 - 10
info@ed-chemnitz.de · www.ed-chemnitz.de

