

EDC-PU005

## Analog System Base Chip I/O stage with FETs, regulators and OP-AMPs

The AMG-PU005 has both N-channel and P-channel output MOSFETs, a buck and linear regulator and two (2) OP-AMPs. It is highly suitable as a supply and output stage for many applications such as MCU power stage and I/O and sensors.

### BLOCK DIAGRAM

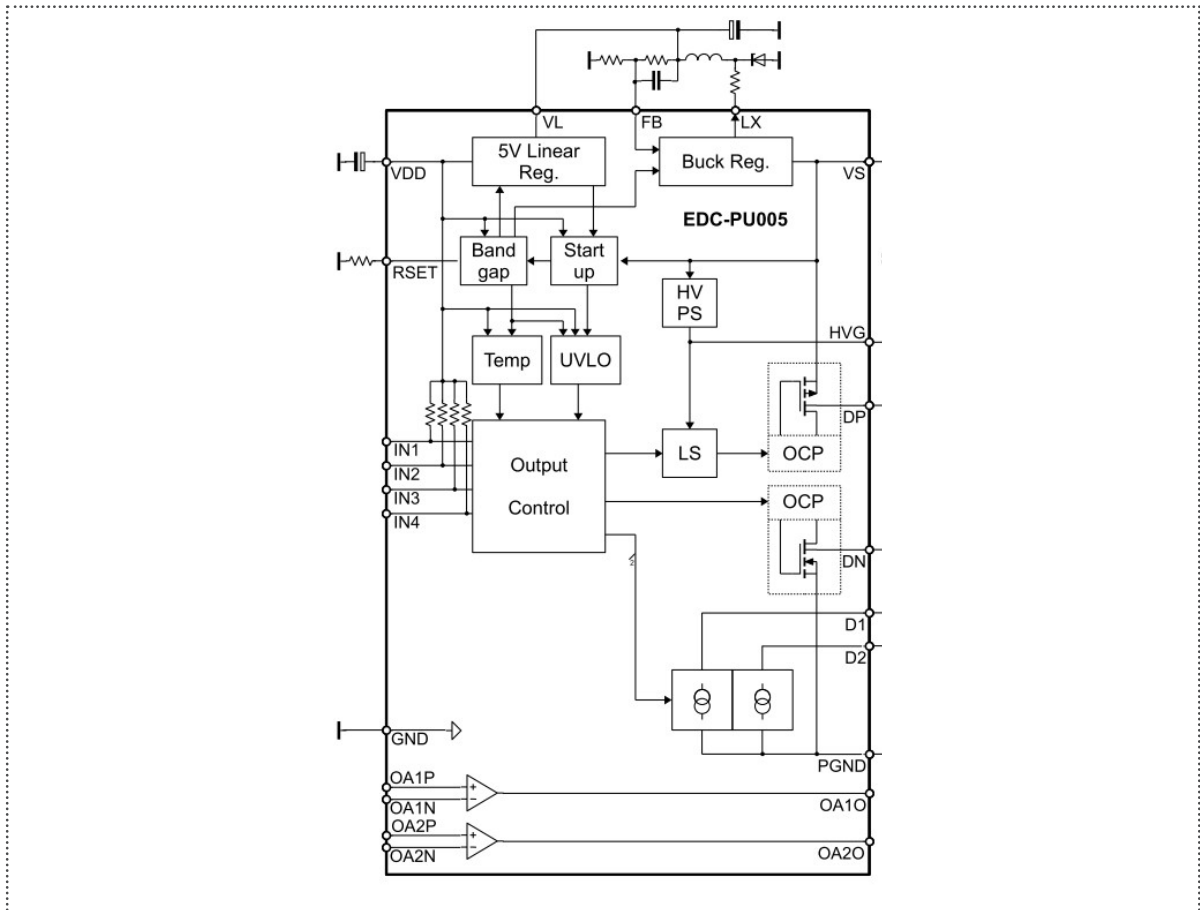


Figure: Simplified block diagram

## FEATURES

- Supply voltage: 5VDC ... 36VDC
- 5V/20mA linear regulator
- Adjustable fix frequency buck regulator (8V ... 34V)
- 100mA P-channel and N-channel current limited and short circuit protected OD outputs
- 2 LED current sinks 2mA
- 2 operational amplifiers
- Buck and linear regulator may be connected parallel or in a series
- Package: QFN24 – Body size: 4mm x 4mm x 0.85mm
- RoHS compliant

## ORDERING INFORMATION

AMG-PU005-IQN24R (QFN24 – shipment in tape & reel)

## DEVELOPMENT TOOLS

- Development Kit: EDC-DK-PU005
- Data Sheet: EDC-DS-PU005

---

### EDC Electronic Design Chemnitz GmbH

Technologie-Campus 4  
09126 Chemnitz/Germany  
Phone: +49 371 524 59 - 0  
Fax: +49 371 524 59 - 10  
info@ed-chemnitz.de · [www.ed-chemnitz.de](http://www.ed-chemnitz.de)

